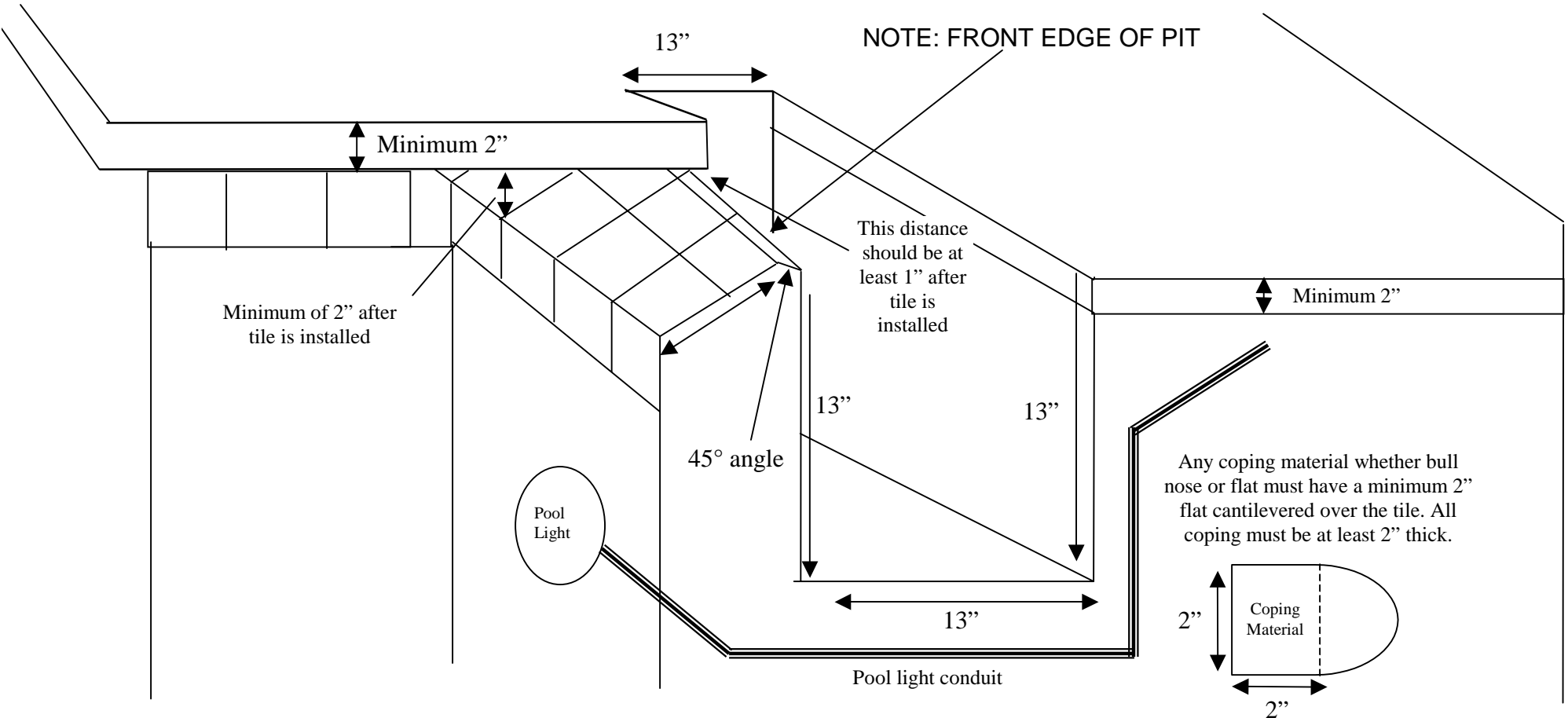


Cross section of Guniting Pit For Stone Lid



- Corner must be square
- Back edge must be straight and level
- Lowered bond beam wall must be smoothed and rounded
- Must have 3" drain located at floor level in the pit
- Must have electrical conduit and a junction box at motor end of pit. Do not place in the middle of the side wall of the pit.
- Motor end is 36" from pool wall; Non Motor end is 12" from pool wall
- Pools over 44' should add 1" to the pit dimensions (i.e. 13" would be 14")